

Hardware Description Language

Outline

1. Overview on hardware description language
2. Basic VHDL Concept via an example
3. VHDL in development flow

1. Overview on hardware description language

Programming language

- Can we use C or Java as HDL?
- A computer programming language
 - Semantics (“meaning”)
 - Syntax (“grammar”)
- Develop of a language
 - Study the characteristics of the underlying processes
 - Develop syntactic constructs and their associated semantics to model and express these characteristics.

Traditional PL

- Modeled after a sequential process
 - Operations performed in a sequential order
 - Help human's thinking process to develop an algorithm step by step
 - Resemble the operation of a basic computer model

HDL

- Characteristics of digital hardware
 - Connections of parts
 - Concurrent operations
 - Concept of propagation delay and timing
- Characteristics cannot be captured by traditional PLs
- Require new languages: HDL

Use of an HDL program

- Formal documentation
- Input to a simulator
- Input to a synthesizer

Modern HDL

- Capture characteristics of a digital circuit:
 - entity
 - connectivity
 - concurrency
 - timing
- Cover description
 - in Gate level and RT level
 - In structural view and behavioral view

- Highlights of modern HDL:
 - Encapsulate the concepts of entity, connectivity, concurrency, and timing
 - Incorporate propagation delay and timing information
 - Consist of constructs for structural implementation
 - Incorporate constructs for behavioral description (sequential execution of traditional PL)
 - Describe the operations and structures in gate level and RT level.
 - Consist of constructs to support hierarchical design process

Two HDLs used today

- VHDL and Verilog
- Syntax and "appearance" of the two languages are very different
- Capabilities and scopes are quite similar
- Both are industrial standards and are supported by most software tools

VHDL

- VHDL: VHSIC (Very High Speed Integrated Circuit) HDL
- Initially sponsored by DoD as a hardware documentation standard in early 80s
- Transferred to IEEE and ratified it as IEEE standard 1176 in 1987 (known as VHDL-87)
- Major modification in '93 (known as VHDL-93)
- Revised continuously

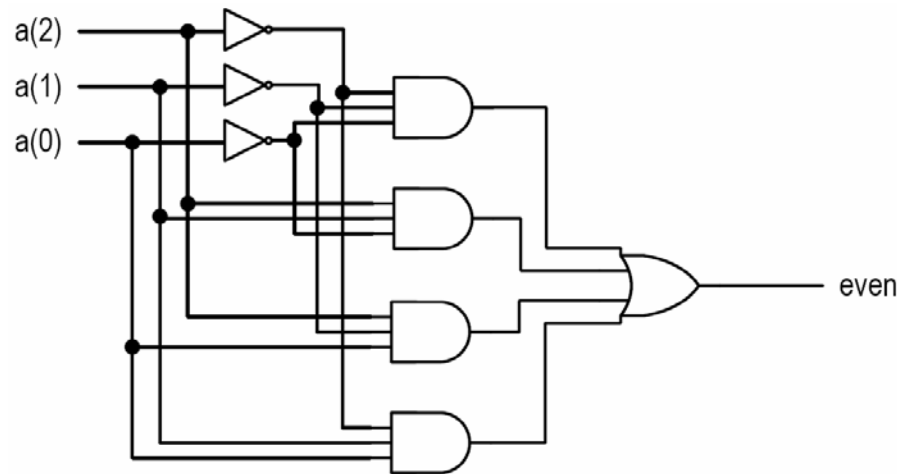
IEEE Extensions

- IEEE standard 1076.1 Analog and Mixed Signal Extensions (VHDL-AMS)
- IEEE standard 1076.2 VHDL Mathematical Packages
- IEEE standard 1076.3 Synthesis Packages
- IEEE standard 1076.4 VHDL Initiative Towards ASIC Libraries (VITAL)
- IEEE standard 1076.6 VHDL Register Transfer Level (RTL) Synthesis
- IEEE standard 1164 Multivalued Logic System for VHDL Model Interoperability
- IEEE standard 1029 VHDL Waveform and Vector Exchange to Support Design and Test Verification (WAVES)

2. Basic VHDL Concept via an example

Even parity detection circuit

- Input: $a(2)$, $a(1)$, $a(0)$
- output: *even*



$a(2)$	$a(1)$	$a(0)$	<i>even</i>
0	0	0	1
0	0	1	0
0	1	0	0
0	1	1	1
1	0	0	0
1	0	1	1
1	1	0	1
1	1	1	0

$$\textit{even} = a(2)' \cdot a(1)' \cdot a(0)' + a(2)' \cdot a(1) \cdot a(0) + a(2) \cdot a(1)' \cdot a(0) + a(2) \cdot a(1) \cdot a(0)'$$

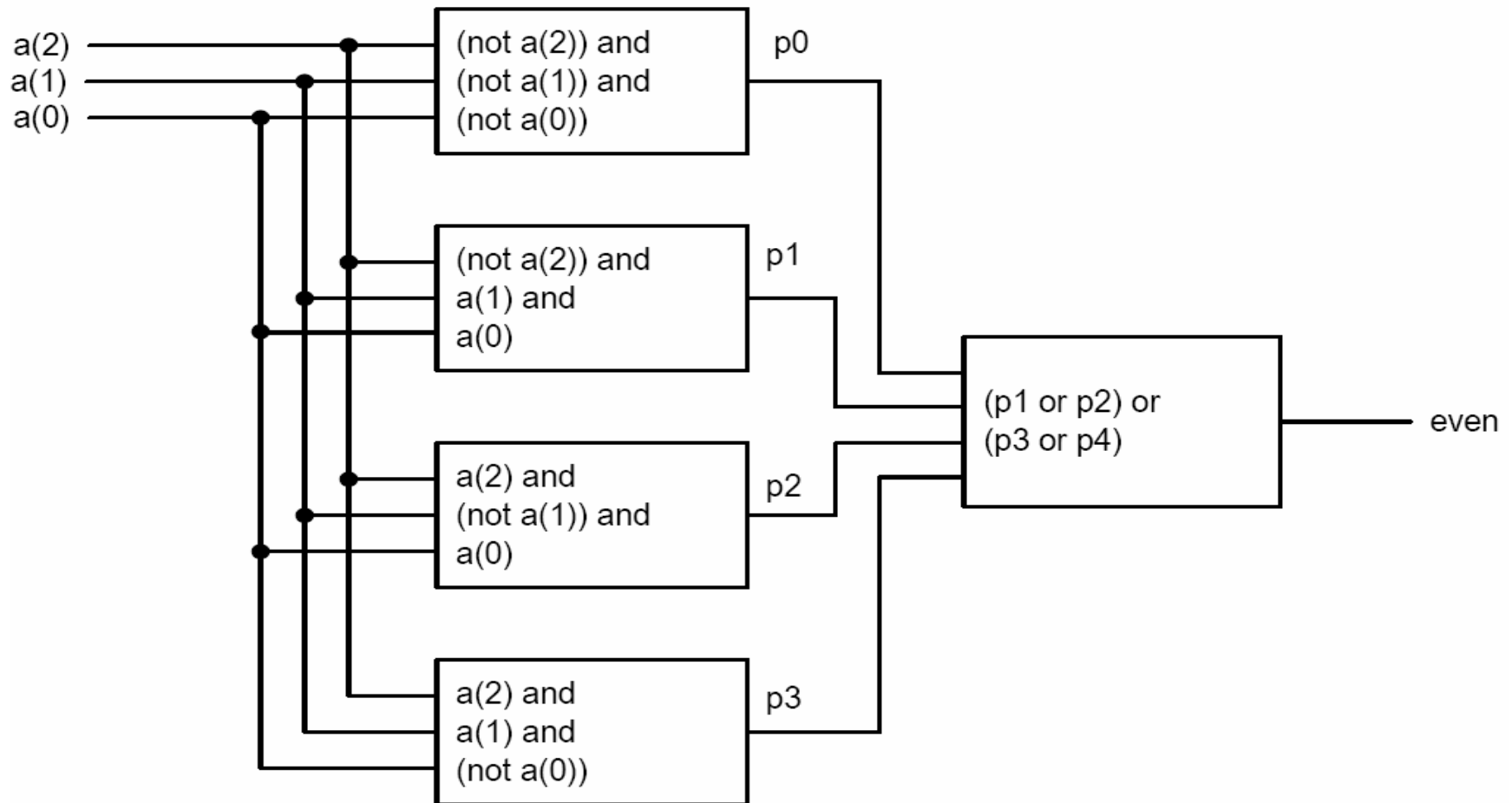
VHDL Listing 2.1

```
library ieee;
use ieee.std_logic_1164.all;
entity even_detector is
    port(
        a: in std_logic_vector(2 downto 0);
        even: out std_logic);
end even_detector;

architecture sop_arch of even_detector is
    signal p1, p2, p3, p4 : std_logic;
begin
    even <= (p1 or p2) or (p3 or p4) after 20 ns;
    p1 <= (not a(2)) and (not a(1)) and (not a(0)) after 15 ns;
    p2 <= (not a(2)) and a(1) and a(0) after 12 ns;
    p3 <= a(2) and (not a(1)) and a(0) after 12 ns;
    p4 <= a(2) and a(1) and (not a(0)) after 12 ns;
end sop_arch ;
```

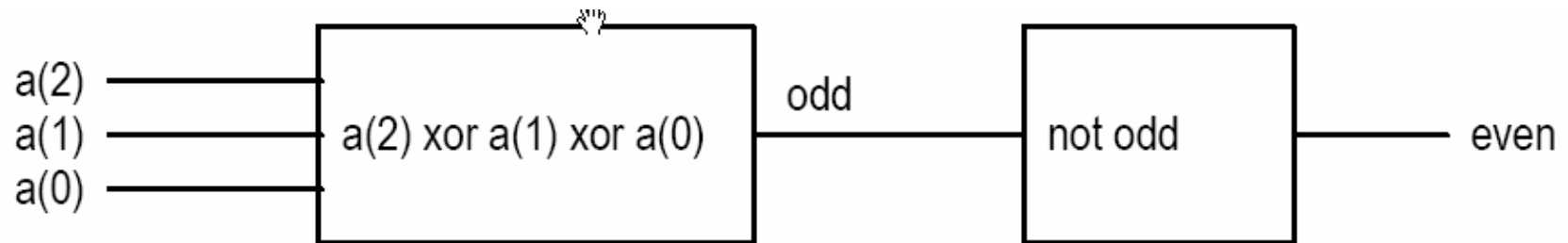
- Entity declaration
 - i/o ports (“outline” of the circuit)
- Architecture body
 - Signal declaration
 - Each concurrent statement
 - Can be thought s a circuit part
 - Contains timing information
 - Arch body can be thought as a “collection of parts”
- What’s the difference between this and a C program

Conceptual interpretation



VHDL Listing 2.2

```
architecture xor_arch of even_detector is
    signal odd: std_logic;
begin
    even <= not odd;
    odd <= a(2) xor a(1) xor a(0);
end xor_arch;
```

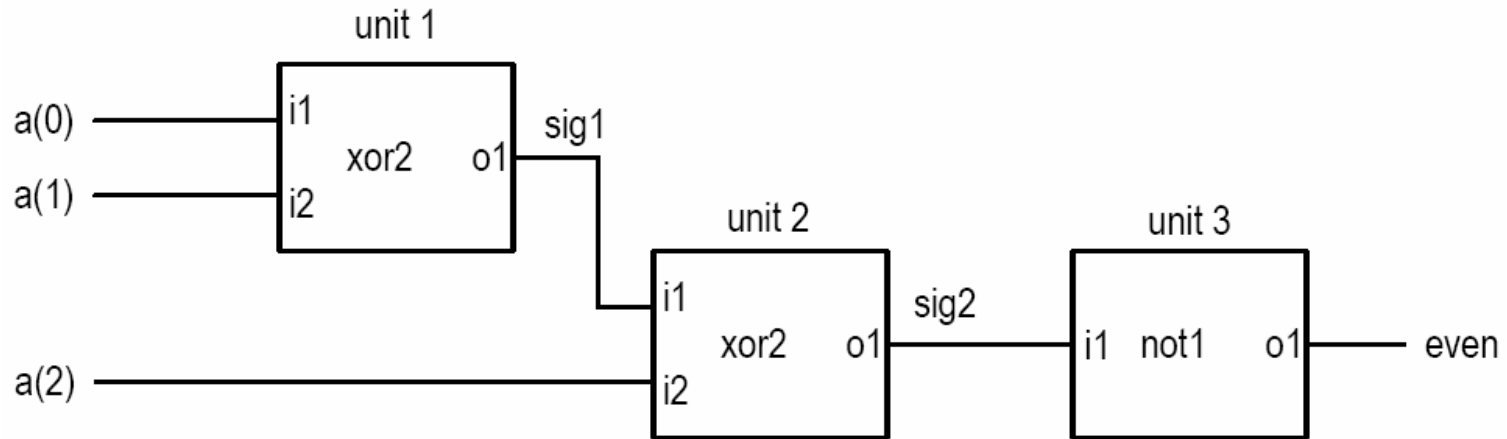


- Same entity declaration
- Implicit δ -delay (delta delay)

Structural description

- In structural view, a circuit is constructed by smaller parts.
- Structural description specifies the types of parts and connections.
- Essentially a textual description of a schematic
- Done by using “component” in VHDL
 - First *declared* (make known)
 - Then *instantiated* (used)

Example



- Even detector using previously designed components (xor2 and not1)

VHDL Listing 2.3

```
architecture str_arch of even_detector is
    component xor2
        port(
            i1, i2: in std_logic;
            o1: out std_logic);
    end component;
    component not1
        port(
            i1: in std_logic;
            o1: out std_logic);
    end component;
    signal sig1,sig2: std_logic;

begin
    unit1: xor2
        port map (i1 => a(0), i2 => a(1), o1 => sig1);
    unit2: xor2
        port map (i1 => a(2), i2 => sig1, o1 => sig2);
    unit3: not1
        port map (i1 => sig2, o1 => even);
end str_arch;
```

Somewhere in library

```
library ieee;
use ieee.std_logic_1164.all;
entity xor2 is
    port(
        i1, i2: in std_logic;
        o1: out std_logic);
end xor2;

architecture beh_arch of xor2 is
begin
    o1 <= i1 xor i2;
end beh_arch;

library ieee;
use ieee.std_logic_1164.all;
entity not1 is
    port(
        i1: in std_logic;
        o1: out std_logic);
end not1;
architecture beh_arch of not1 is
begin
    o1 <= not i1;
end beh_arch;
```

“Behavioral” description

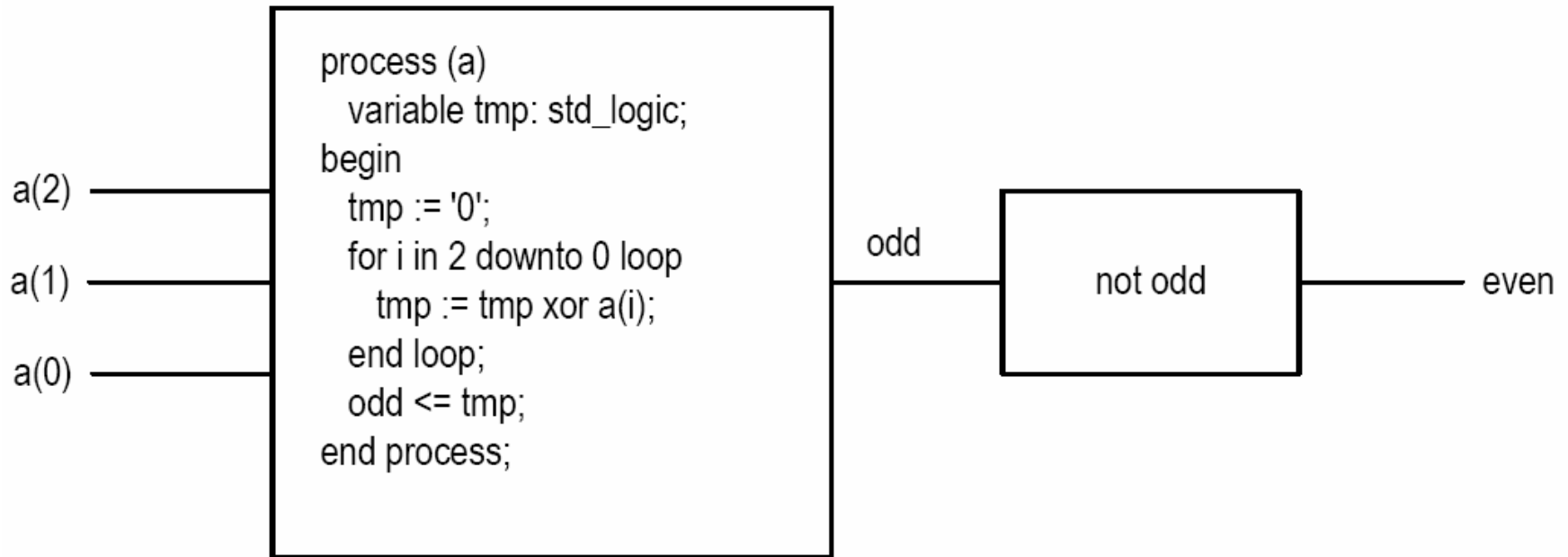
- No formal definition on “behavioral” in VHDL
- VHDL “process”: a language construct to encapsulate “sequential semantics”
 - The entire process is a concurrent statement
 - Syntax:

```
process (sensitivity_list)  
    variable declaration;  
begin  
    sequential statements;  
end process;
```

Listing 2.5

```
architecture beh1_arch of even_detector is
  signal odd: std_logic;
begin
  even <= not odd;
  process (a)
    variable tmp: std_logic;
  begin
    tmp := '0';
    for i in 2 downto 0 loop
      tmp := tmp xor a(i);
    end loop;
    odd <= tmp;
  end process;
end beh1_arch;
```

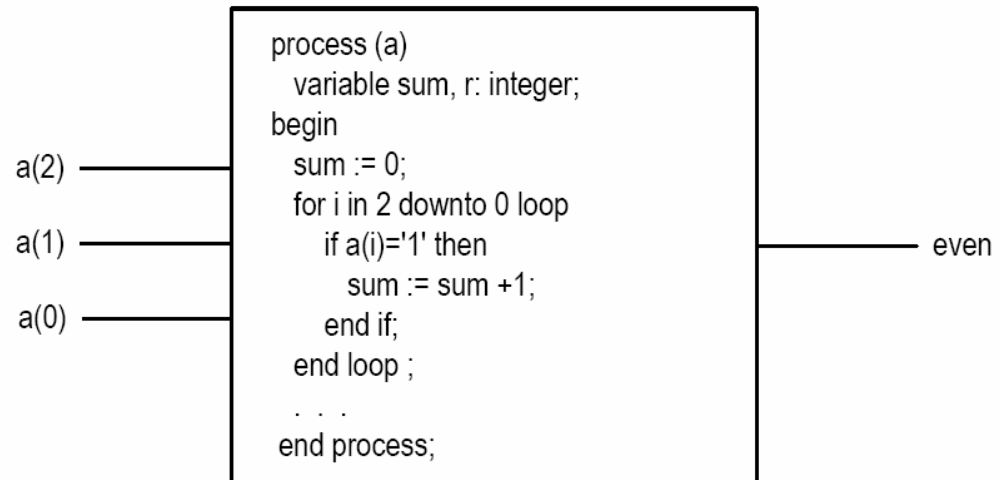

Conceptual interpretation



Listing 2.6

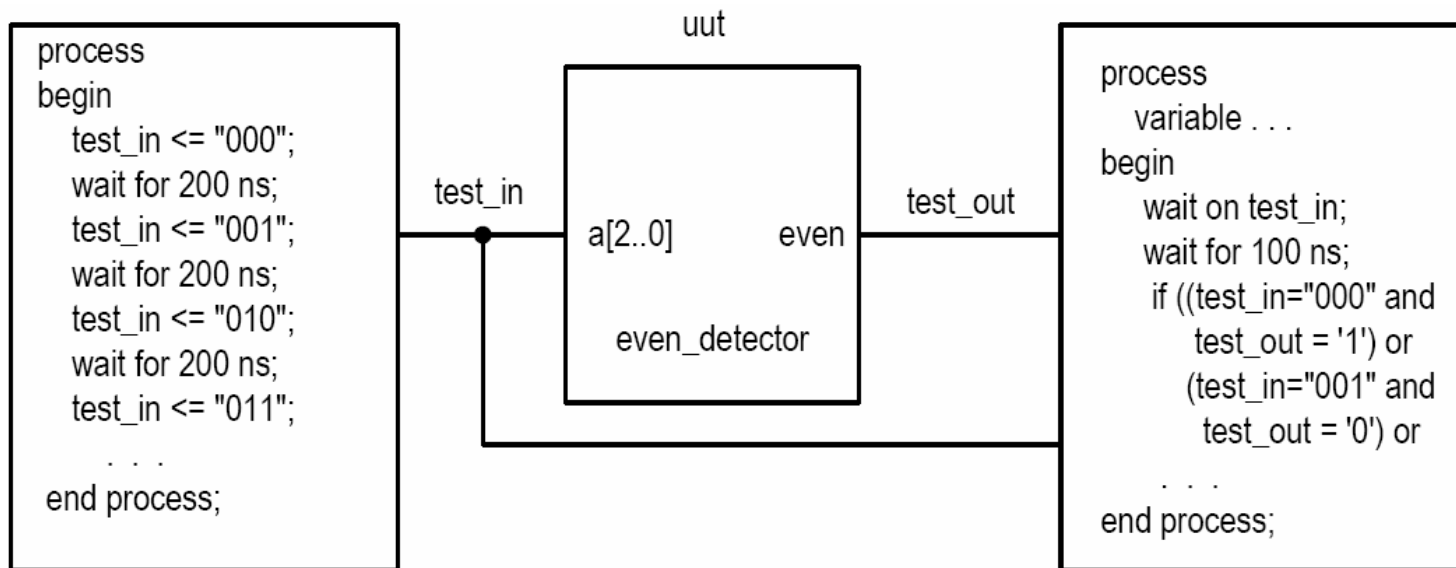
```
architecture beh2_arch of even_detector is
begin
```

```
    process (a)
        variable sum, r: integer;
    begin
        sum := 0;
        for i in 2 downto 0 loop
            if a(i)='1' then
                sum := sum +1;
            end if;
        end loop ;
        r := sum mod 2;
        if (r=0) then
            even <= '1';
        else
            even <= '0';
        end if;
    end process;
```



Testbench

- a “virtual” experiment table
 - Circuit to be tested
 - Input stimuli (e.g., function generator)
 - Output monitor (e.g., logic analyzer)
- e.g.,



VHDL Listing 2.7

```
library ieee;
use ieee.std_logic_1164.all;
entity even_detector_testbench is
end even_detector_testbench;

architecture tb_arch of even_detector_testbench is
    component even_detector
        port (
            a: in std_logic_vector(2 downto 0);
            even: out std_logic);
    end component;
    signal test_in: std_logic_vector(2 downto 0);
    signal test_out: std_logic;

begin
    -- instantiate the circuit under test
    uut: even_detector
        port map( a=>test_in, even=>test_out);
```

```

-- test vector generator
process
begin
    test_in <= "000";
    wait for 200 ns;
    test_in <= "001";
    wait for 200 ns;
    test_in <= "010";
    wait for 200 ns;
    test_in <= "011";
    wait for 200 ns;
    test_in <= "100";
    wait for 200 ns;
    test_in <= "101";
    wait for 200 ns;
    test_in <= "110";
    wait for 200 ns;
    test_in <= "111";
    wait for 200 ns;
end process;

```

--? verifier

process

variable error_status: boolean;

begin

wait on test_in;

wait for 100 ns;

if ((test_in="000" **and** test_out = '1') **or**
 (test_in="001" **and** test_out = '0') **or**
 (test_in="010" **and** test_out = '0') **or**
 (test_in="011" **and** test_out = '1') **or**
 (test_in="100" **and** test_out = '0') **or**
 (test_in="101" **and** test_out = '1') **or**
 (test_in="110" **and** test_out = '1') **or**
 (test_in="111" **and** test_out = '0'))

then

 error_status := false;

else

 error_status := true;

end if;

-- error reporting

assert not error_status
 report "test failed."
 severity note;

end tb_arch;

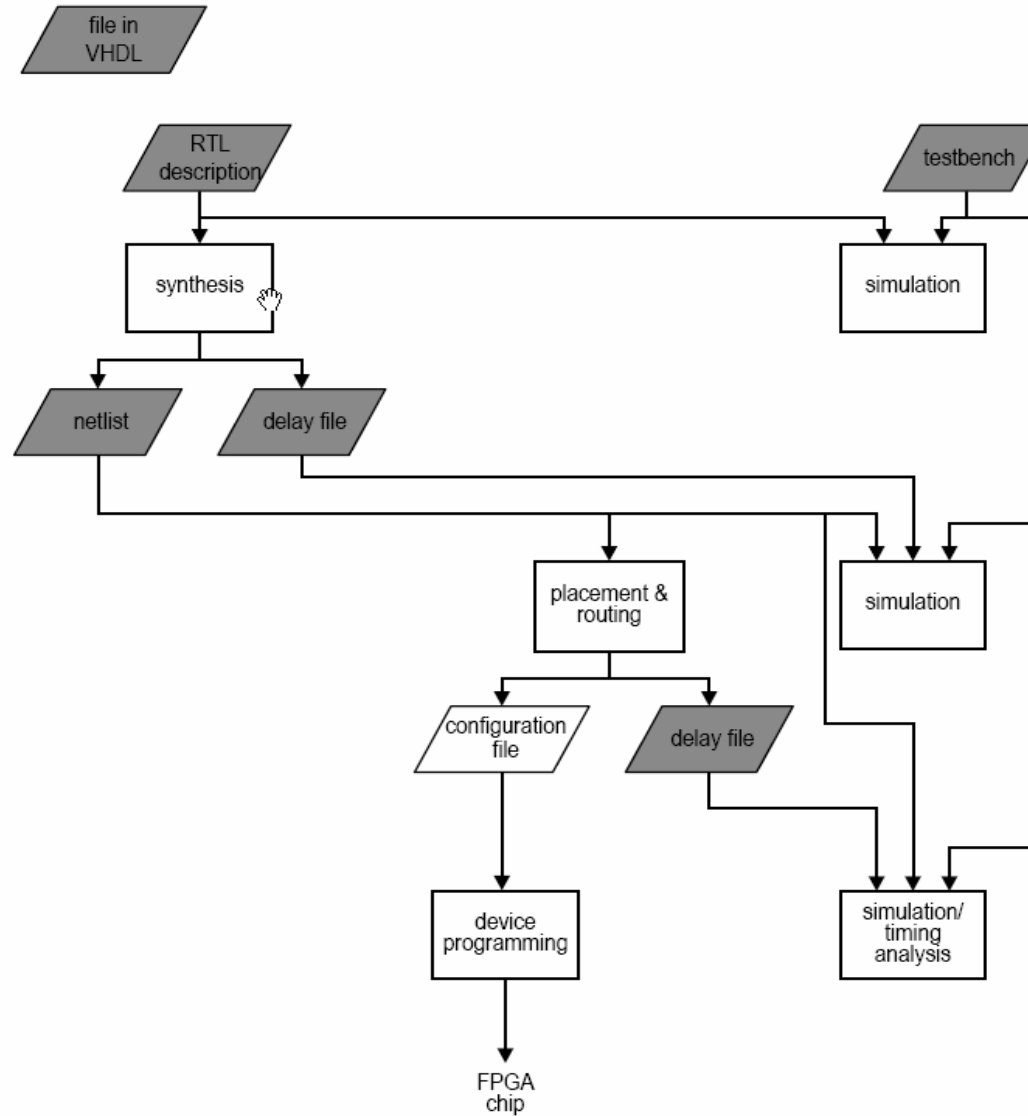
Configuration

- Multiple architecture bodies can be associated with an entity declaration
 - Like IC chips and sockets
- VHDL configuration specifies the *binding*
- E.g.,

```
configuration demo_config of even_detector_testbench is
  for tb_arch
    for uut: even_detector
      use entity work.even_detector(sop_arch);
    end for;
  end for;
end demo_config;
```

3. VHDL in development flow

Scope of VHDL



Coding for synthesis

- “Execution” of VHDL codes
 - Simulation:
 - Design “realized” in a virtual environment (simulation software)
 - All language constructs can be “realized”
 - “realized” by a single CPU

– “Synthesis

- Design realized by hardware components
- Many VHDL constructs can be synthesized (e.g, file operation, floating-point data type, division)
- Only small subset can be used
- E.g., 10 additions
- Syntactically correct code \neq Synthesizable code
- Synthesizable code \neq Efficient code
- Synthesis software only performs transformation and local search

- The course focuses on hardware, not VHDL (i.e., the “H”, not “L” of HDL)
- Emphasis on coding for synthesis:
 - Code accurately describing the underlying hardware structure
 - Code providing adequate info to guide synthesis software to generate efficient implementation